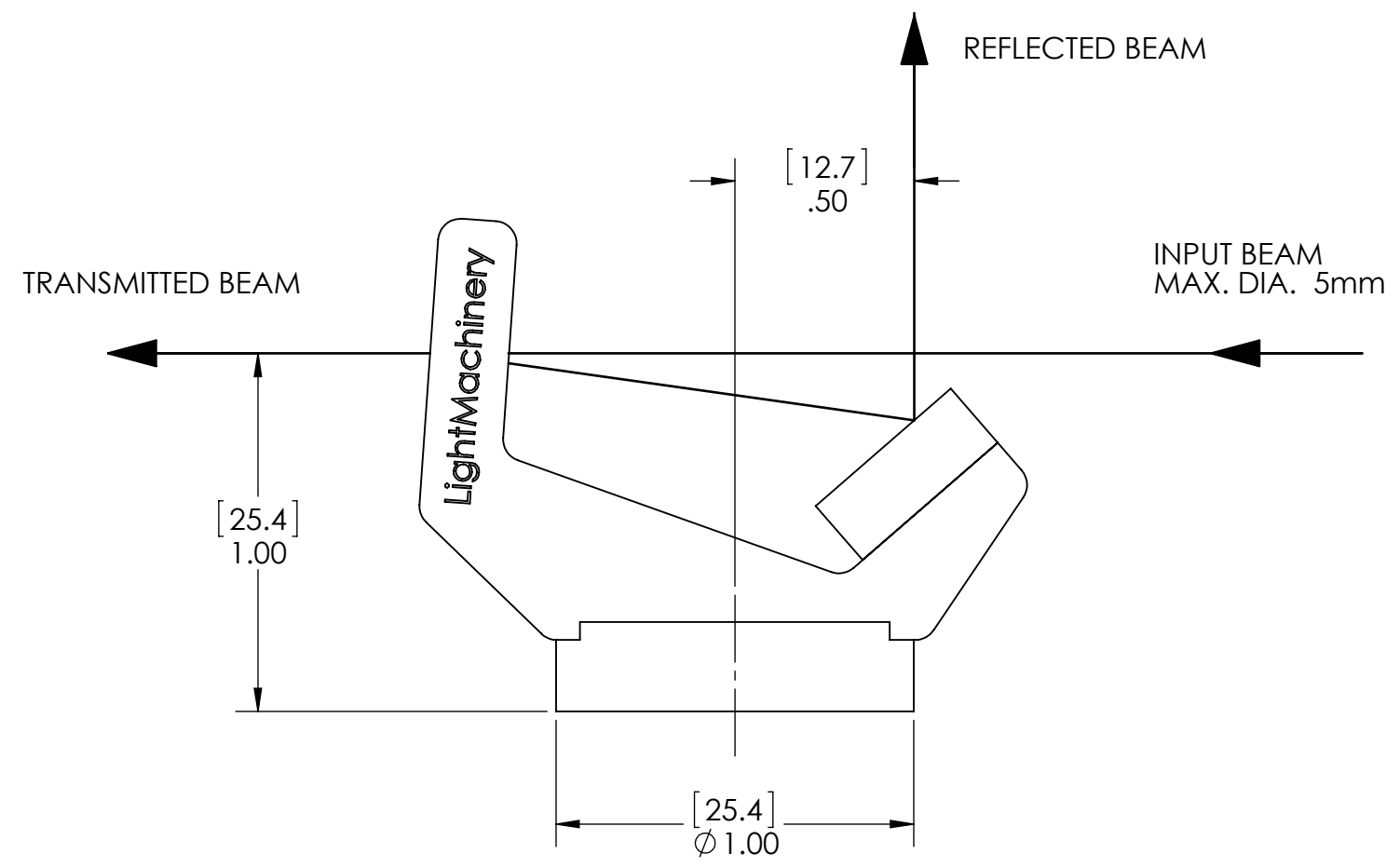
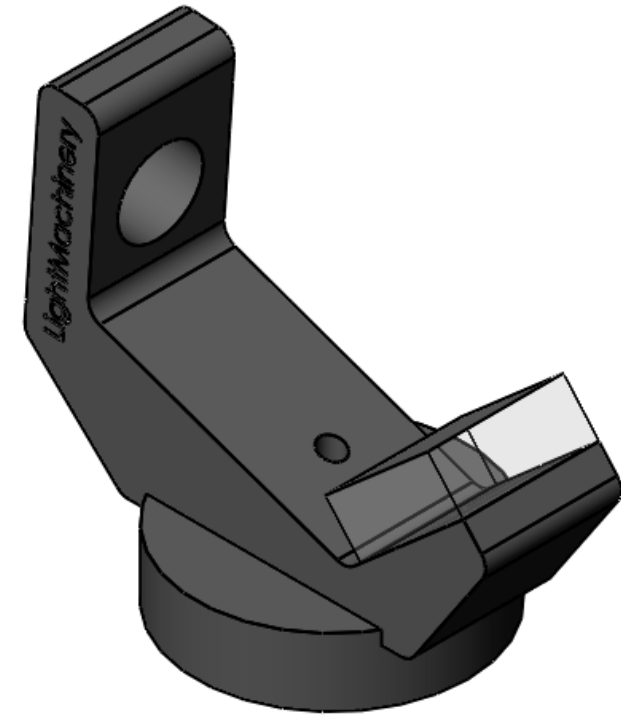
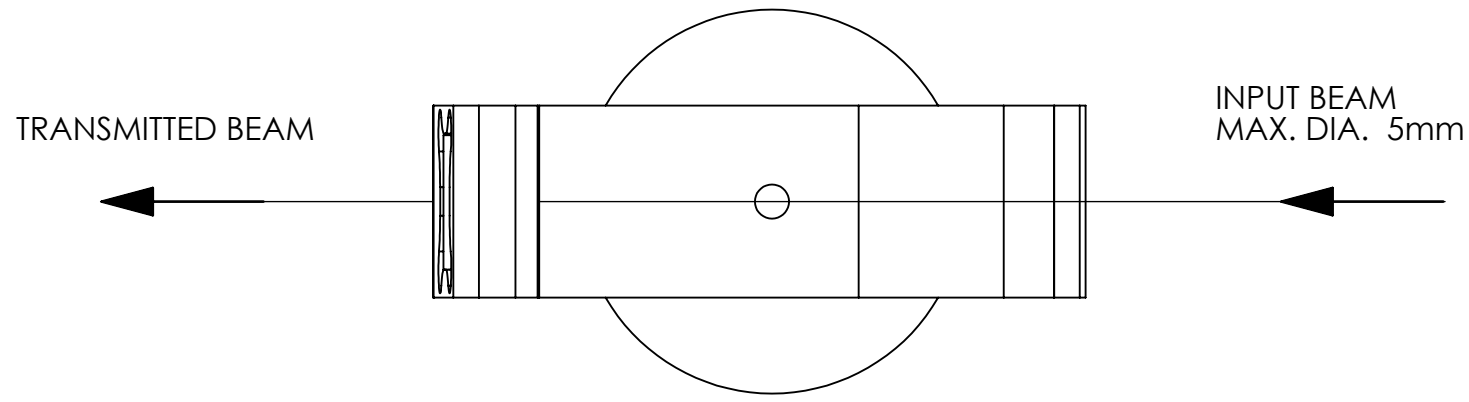
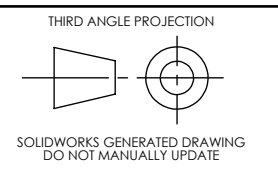


REVISION HISTORY			
REV	DESCRIPTION	DATE	APP'D
A	INITIAL RELEASE		



UNLESS OTHERWISE SPECIFIED
DIMENSIONS ARE IN INCHES
TOLERANCES ARE:
DECIMALS .X ± .020
.XX ± .010
.XXX ± .005
ANGLES .X ± .5°
.XX ± .01°



LightMachinery
Excellence in lasers and optics
80 COLONNADE RD.
NEPEAN, ONTARIO, K2E 7L2, CANADA

MATERIAL
NA

APPROVALS		DATE
DRAWN A.N		6DEC2010
CHECKED J.H		6DEC2010
ENG APPR.		
MFG APPR.		

TITLE:
**UBS OUTLINE AND
INSTALLATION**

FINISH
NA

DO NOT SCALE DRAWING

SIZE	DWG. NO.	REV
B	OP-5172	A

PROPRIETARY AND CONFIDENTIAL
THE INFORMATION CONTAINED IN THIS
DRAWING IS THE SOLE PROPERTY OF
LIGHTMACHINERY. ANY REPRODUCTION IN
PART OR AS A WHOLE WITHOUT THE
WRITTEN PERMISSION OF LIGHTMACHINERY
IS PROHIBITED.

SCALE: 1:1 SHEET 1 OF 1